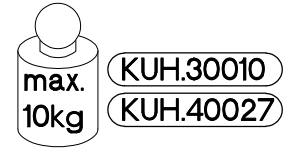
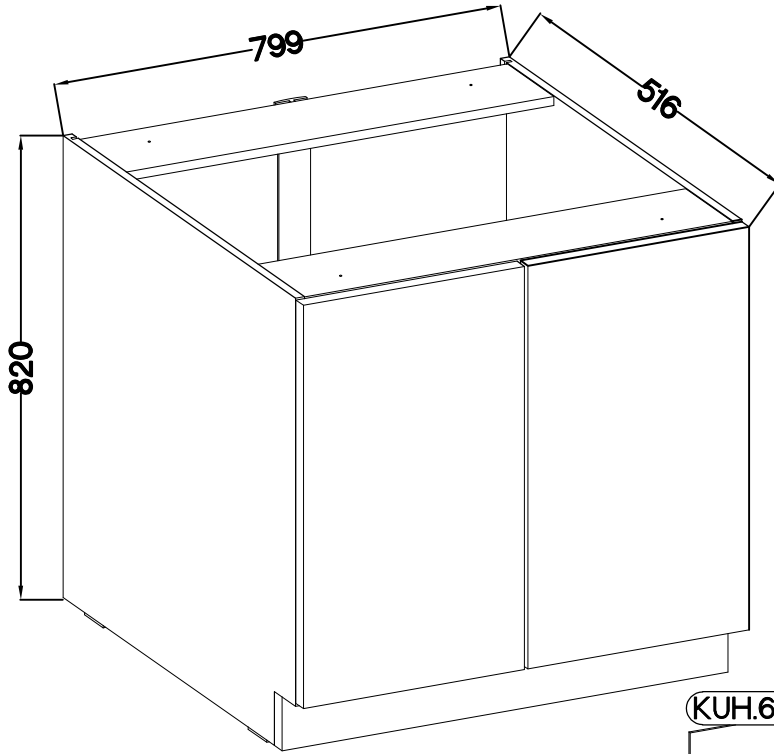
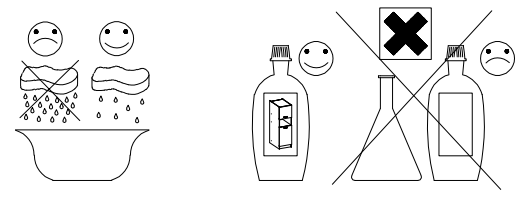
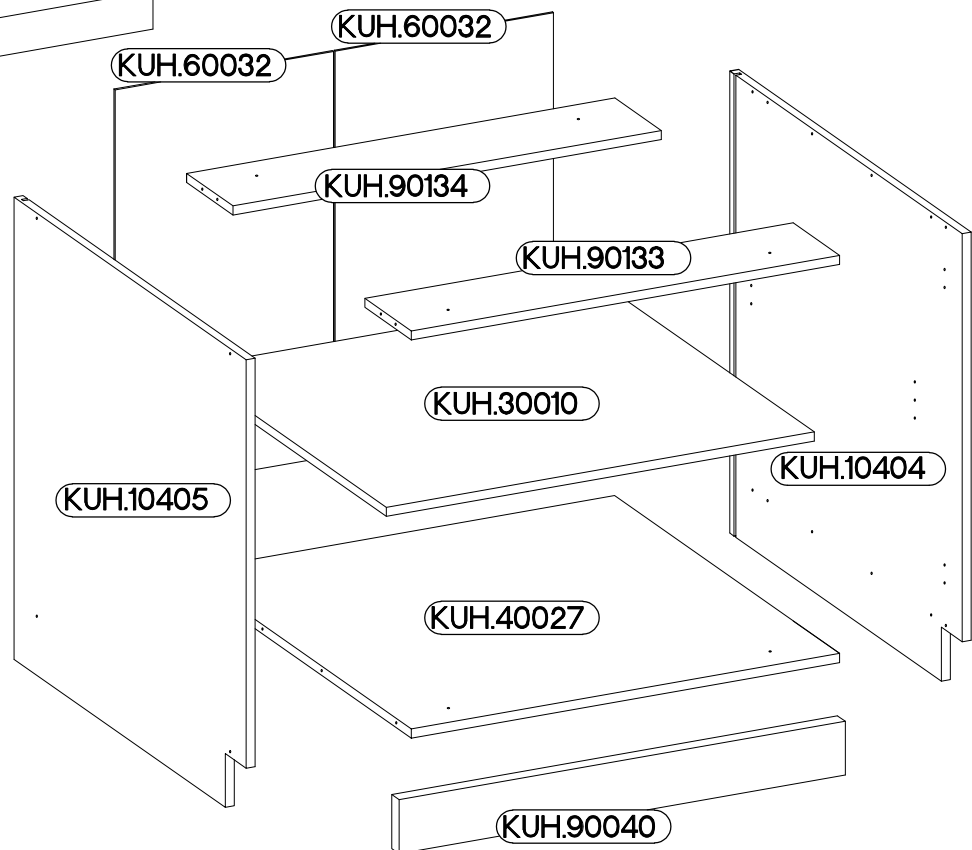


80 D 2F BB



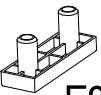
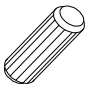
Ersatzteil Nummer	Dimension
KUH.10404	815x500x16
KUH.10405	815x500x16
KUH.30010	766x430x16
KUH.40027	767x485x16
KUH.60032 x2	713x391x2,5
KUH.90040	799x95x16
KUH.90133	767x100x16
KUH.90134	767x100x16

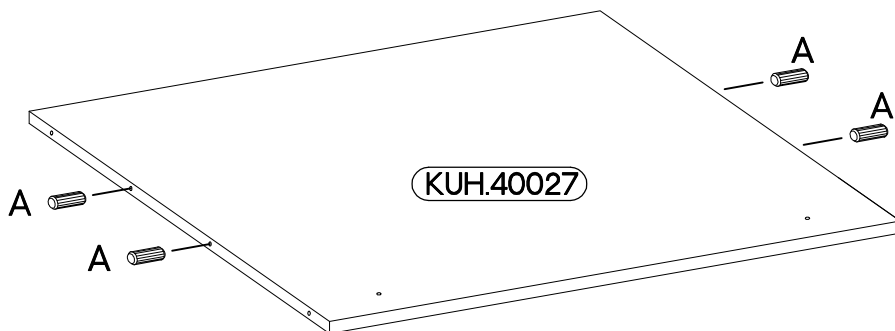
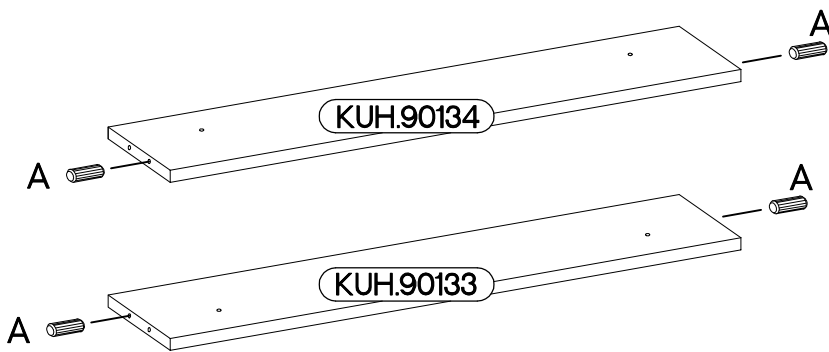
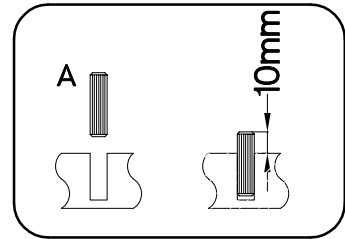
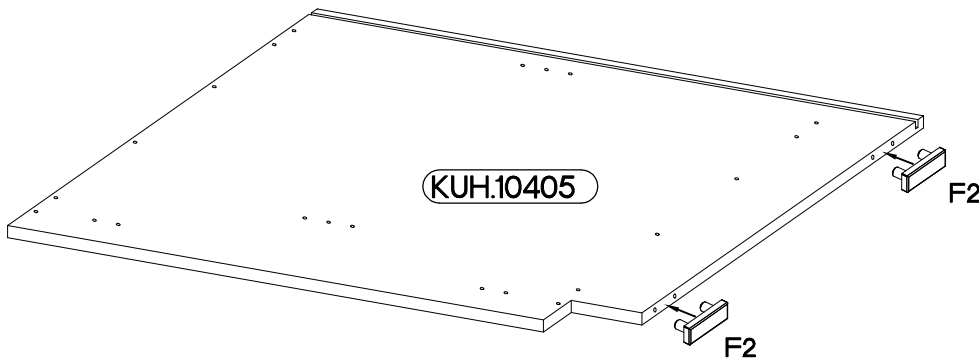
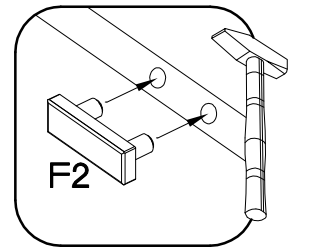
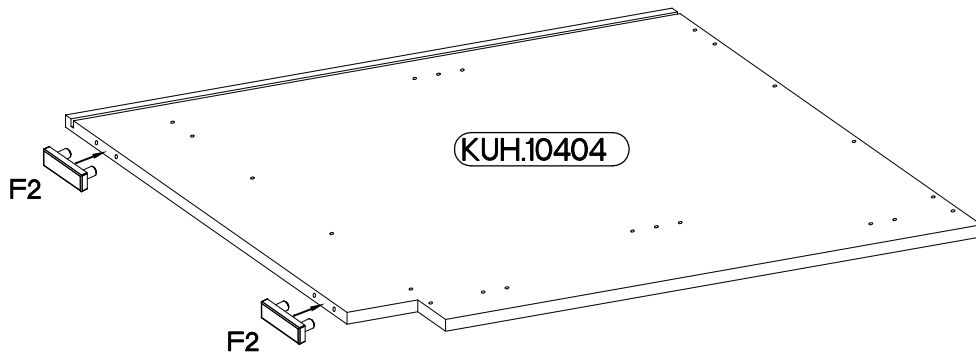
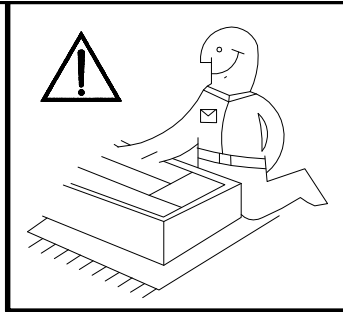


$\pm 8 \times 30 \text{mm}$ A	$6,4 \times 50 \text{mm}$ B				
8	8	8			
	$6,5 \times 48 \times 16$ F2	$\pm 35 / 0 \text{mm}$ HG	$\pm 5 / 19 \text{mm}$ J		
2	4	4	4		
$L1 = 680 \text{mm}$ L1		$\pm 3,5 \times 13 \text{mm}$ P5	$\pm 4,0 \times 45 \text{mm}$ P4	$\pm 3,0 \times 20 \text{mm}$ P7	$\pm 4,0 \times 35 \text{mm}$ R3
1	1	8	2	10-15	4

ISM-KUH-01628

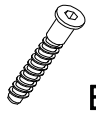
1

6.5x48x16  F2 4	+8x30mm  A 8
--	---



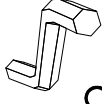
2

6,4 x 50mm



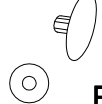
B

4



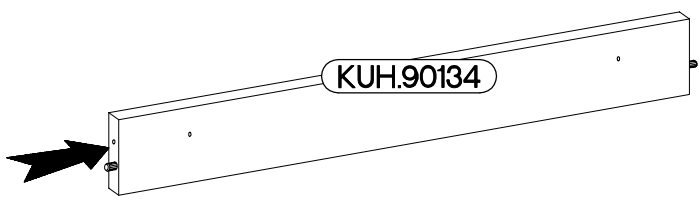
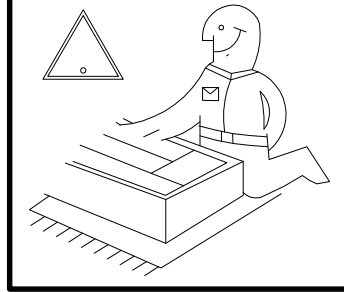
O

1

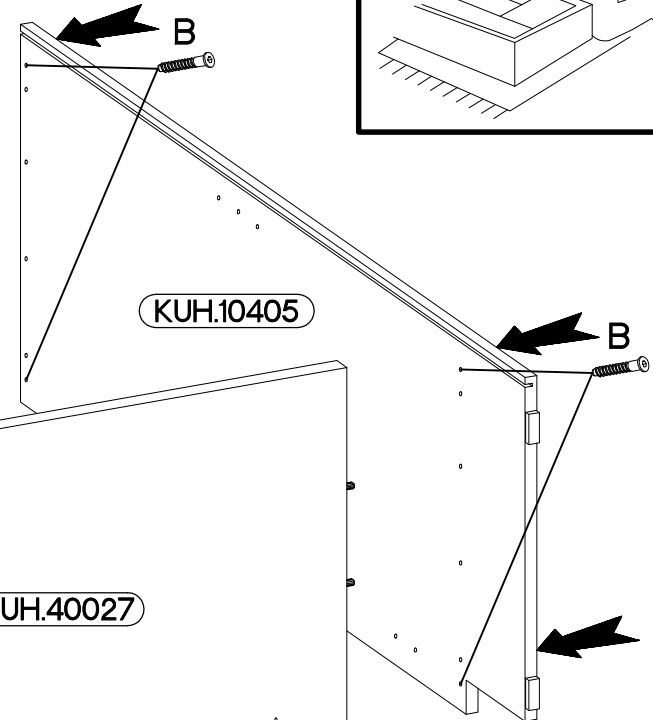


E1

4

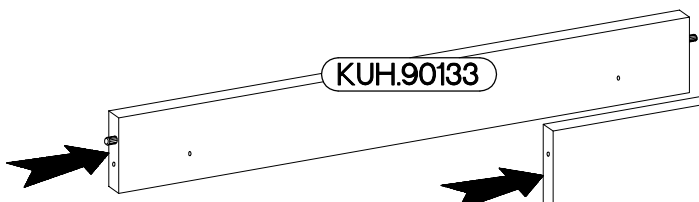


KUH.90134

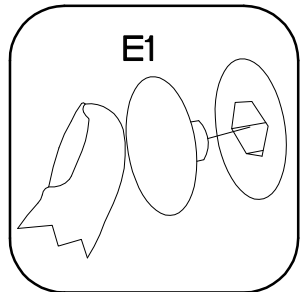


KUH.10405

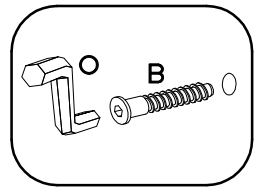
KUH.40027



KUH.90133

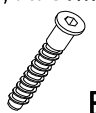


E1



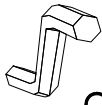
3

6,4 x 50mm



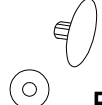
B

4



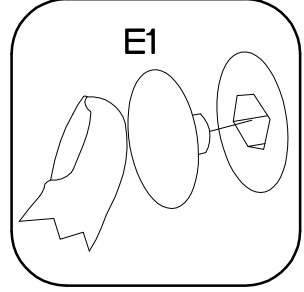
O

1

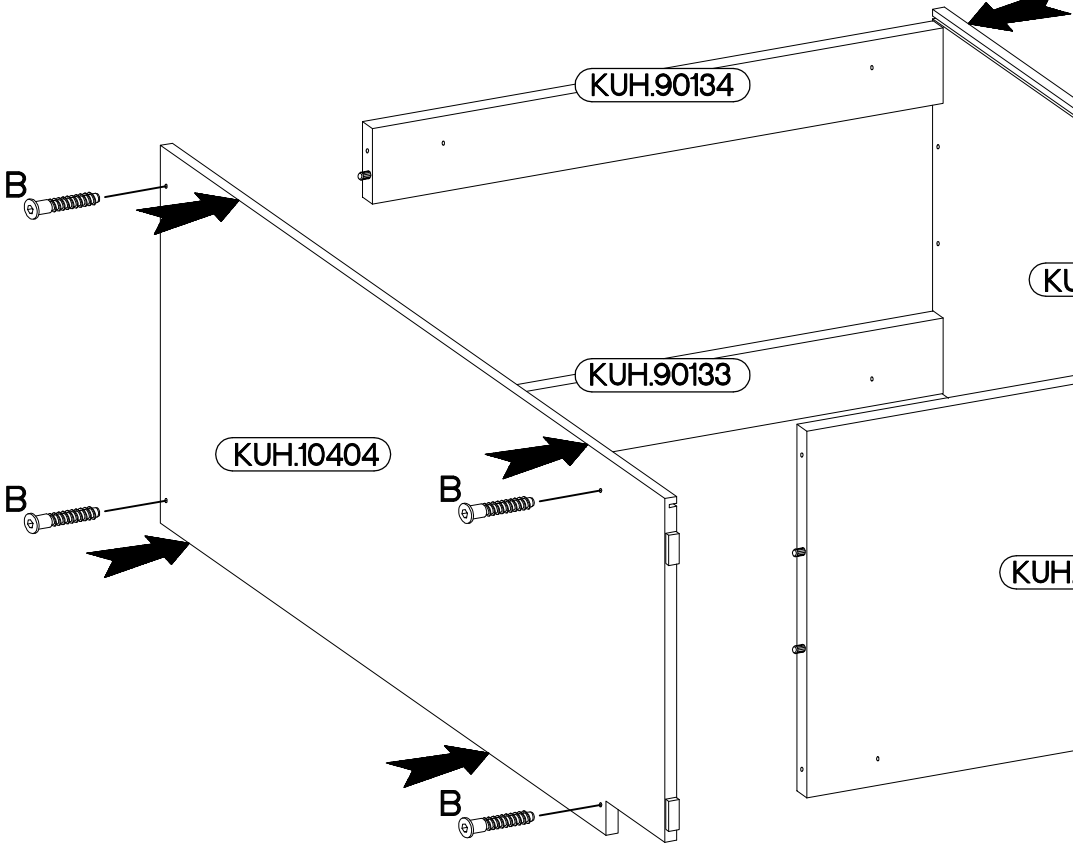
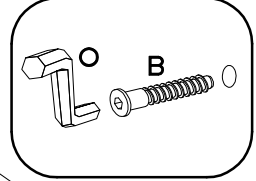


E1

4



E1



KUH.90134



KUH.10405

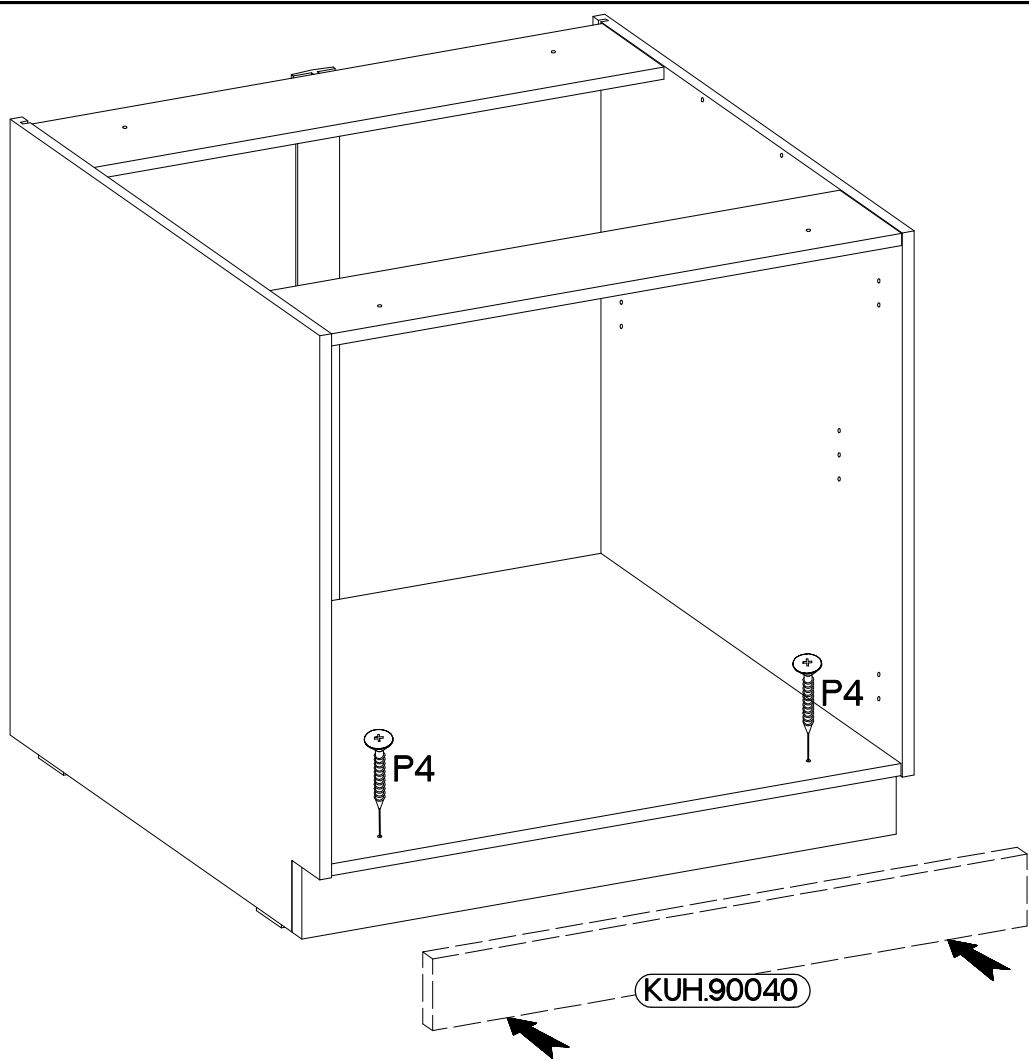
KUH.10404

KUH.90133


KUH.40027

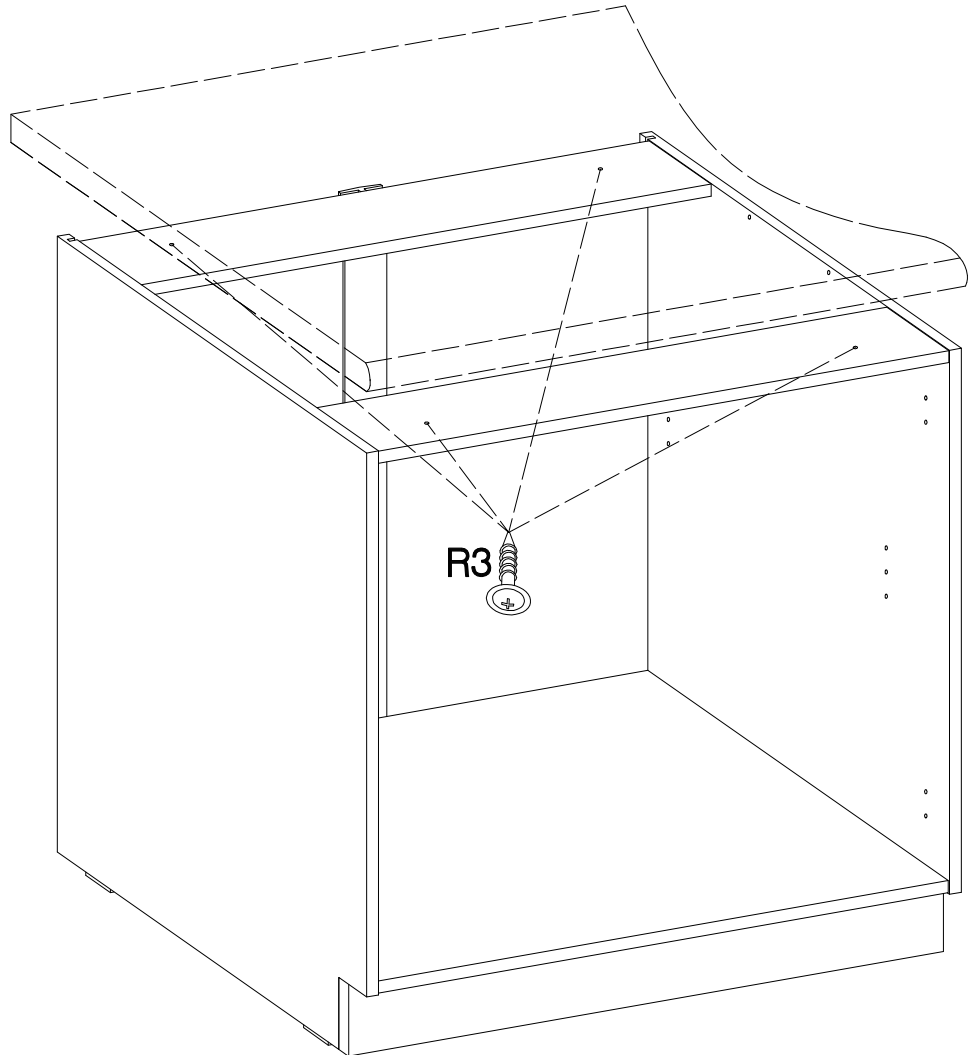
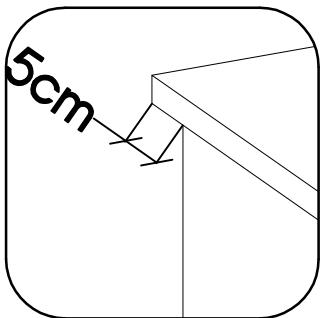
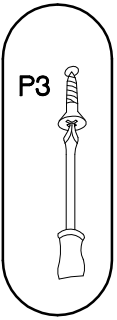
6

+4.0x45mm	
	
P4	E9
2	2



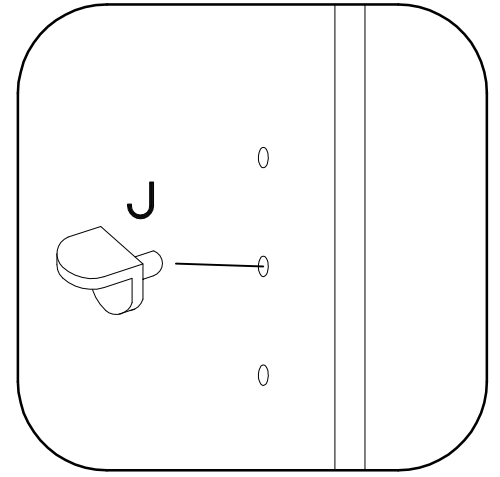
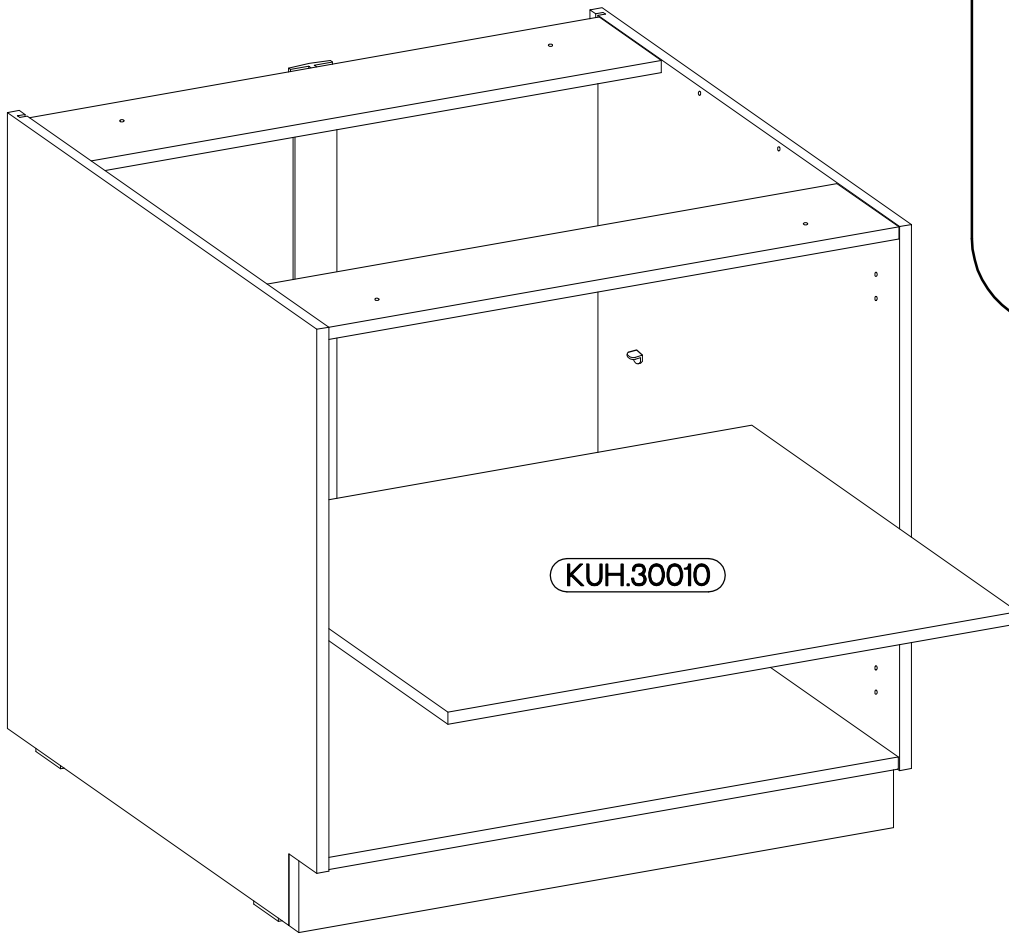
7

+4.0x35mm	
	R3
4	



8

±5/19mm
J
4



9

FRONT

